

TR-1800

ROAMEO Beltpack

The RTS ROAMEO System is an integrated digital wireless communications system consisting of belt packs (TR-1800) and access points (AP-1800) communicating over DECT (Digital Enhanced Cordless Telecommunications) wireless technology. Communication between the access points and the Matrix uses OMNEO technology, the Dante-based platform for high-quality audio over IP.

DECT is a license-free, globally-accepted standard for wireless communication.

A large continuous radio coverage area can be created easily by strategic placement of access points. Belt pack users can roam freely within the coverage area without worry of losing communication.

ROAMEO uses a standard IP infrastructure, which means no specialized wiring is required for installation.

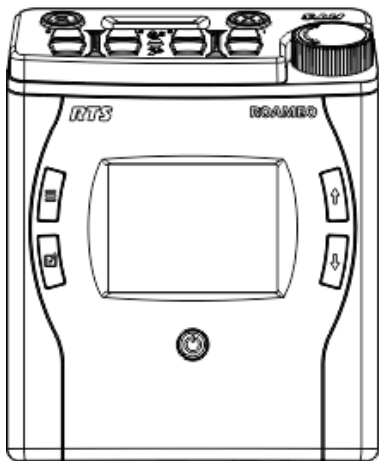
Each TR-1800 Belt pack is fully addressable, has separate Talk and Listen buttons, call waiting functionality, and is conveniently programmed using the same software as for RTS wired keypanels.



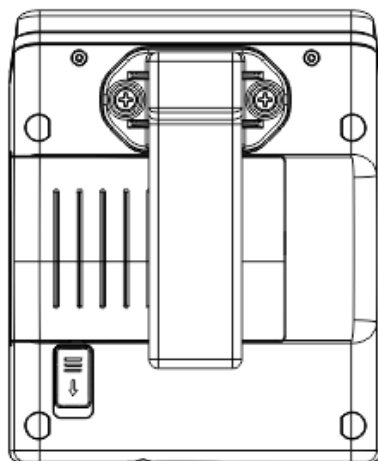
Features

- User-selectable audio codec to allow the best (wideband) audio quality with an average number of users or good (narrowband) audio quality with double the number of users.
- Provides reliable, low latency, communications from the belt pack to the Matrix.
- Provides roaming ability between access point locations with seamless communication.
- Standard Ethernet backbone communications can be routed over existing LAN or WAN (Layer 3 routable)
- The belt pack provides a USB port for future software upgrades and the download of a custom front display startup graphic.
- Easy battery removal for bulk charging in a 4-bay battery charger or in-device charging.
- Large color screen with intuitively-designed icons for easy configuration and setup, and a smaller call waiting window located on top of the unit.
- Designed with four (4) independent talk/listen keys for full-duplex communications, CWW (call waiting window) functionality.
- Two headset options available via an XLR connector or a 3.5mm connector. The 3.5mm option can also be used for local AUX input audio.
- Dark Mode feature allows you to quickly toggle on/off all lights and displays on the belt pack. This is especially convenient for theatre and other dark venues where a lighted belt pack would stand out.

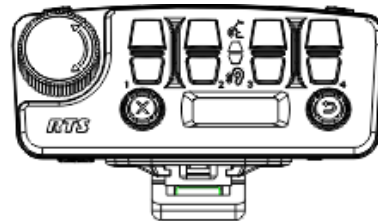
Line Drawings



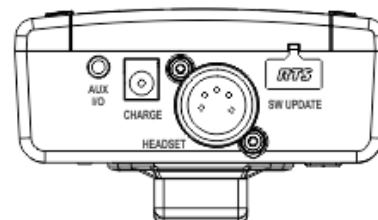
Front



Back



Top



Bottom

Specifications

General:

Audio Modes.....	G.722 wideband mode G.726 narrowband mode
Frequency Response (G.722)	165 Hz – 7.0 kHz
Frequency Response (G.726)	255 Hz – 3.6 kHz
Front Backlit Display.....	Color, 320 x 240 pixel, QVGA LCD
Top Backlit Display	Black and White, 128 x 32 pixel LCD
Removable Battery Pack.....	Li-Ion Pack, 7.5 VDC, 2300 mAh
Typical Battery Life	17 hours
Environmental:	
Operating Temperature.....	32°F – 122°F (0°C – 50°C)
Storage Temperature.....	-4°F – 158°F (-20°C – 70°C)
Dimensions (w/beltclip).....	4.93 in. H x 4.00 in. W x 2.31 in. D (12.51 cm H x 10.16 cm W x 5.87 cm D)
Dimensions (w/o beltclip).....	4.93 in. H x 4.00 in. W x 1.85 in. D (12.51 cm H x 10.16 cm W x 4.70 cm D)
Weight (w/ battery)	0.771 lbs. (350 g)
Weight (w/o battery)	0.507 lbs. (230 g)

Controls:

Level Controls.....	Top-mounted rotary encoder Individual listen adjustment
Talk/Listen Control.....	4 x Talk and 4 x Listen buttons (top panel)
Number of Assignment Pages.....	4
Call Waiting Control.....	Reply and Clear buttons
Menu Settings Control.....	Menu, Set, Up, and Down buttons

Connections:

Headset Connectors.....	XLR-5F 3.5mm (iPhone type)
Headphone Impedance (both XLR and 3.5mm).....	51 – 2000 Ω
Microphone Type (XLR Jack)	Dynamic or Electret auto-detect
Microphone Type (3.5mm Jack)	Electret only (+5V bias always supplied)
In-beltpack Charging Jack.....	Accepts 2.5 x 5.5mm charging plug, positive center
In-beltpack Charging Jack Voltage/Current.....	12VDC @ 400mA
Auxiliary Audio Input Jack.....	3.5mm for MP3 type audio input Only fed to local headset
Firmware Update Jack.....	USB Type A

Specifications are subject to change without notification. Brand names mentioned are the property of their respective companies.

Order Information

Model • Commercial Code • Description

- TR-1800 • TR-1800 • TR-1800 Beltpack, US
- TR-1800 EU • TR1800 EU • TR1800 Beltpack EU
- AP-1800 • AP-1800 • AP-1800 Access Point, US
- AP-1800 EU • AP1800 EU • AP-1800 Access Point EU
- ANT-1800 • ANT-1800 • ANT-1800 Antenna
- TR-1800 Holster • TR1800 Holster • TR1800 Holster
- AP-1800 MT BRKT • AP1800 MT BRKT • AP1800 Mounting Bracket Kit

For ordering information, contact your regional sales representative at:
<http://rtsintercoms.com/us/intercom/contact>

RF Communications:

Frequency Range.....	1880 – 1900 MHz (EU - Europe, Asia, and Australia) 1920 – 1930 MHz (NA - North America)
Communication Protocol	DECT
Carrier Frequency Selection.....	Automatic via DCS (Dynamic Channel Selection)
Modulation.....	GFSK
Maximum Output Power (Peak)	200 mW (EU) 100 mW (NA)
Average Power (G.722 wideband)	17 mW (EU)
Average Power (G.726 narrowband).....	8 mW (EU)
Average Power (G.722 wideband)	8 mW (NA)
Average Power (G.726 narrowband).....	4 mW (NA)
TR-1800 Beltpack Case (includes removable and adjustable shoulder strap)	
Dimensions.....	4 in. x 1.5 in. x 4.5 in. (101.6 mm x 38.1 mm x 114.3 mm)

Certifications:

RoHS, FCC part 15D, FCC part 15B, FCC/IC Class
 B device, IC RSS-213, IC ICES-003, CE, EN 301
 406, EN 301 489-6, EN 60950-1, RCM, Singapore,
 Mexico